



PFP TF

Basket filter for drinking water and industrial use

Rev. 1 - 12/25



CHARACTERISTICS



The basket filters of the PFP TF series are the innovative range of stainless-steel filters, ideal where protection from coarse bodies is required in the civil, industrial and technological sectors in general. Basket filters are also suitable for the filtration of very viscous liquids.

The PFP TF basket filter is a protection filter that allows you to effectively eliminate all coarse material with very low pressure drops. For this reason, it is the ideal solution for applications such as the recirculation of swimming pool water, the pumping of water from rivers and lakes and all those applications that require the protection of the pumping units.

They are used in every industrial process: from the chemical and petrochemical industry to the food and pharmaceutical industry and where contamination is significant and continuous. In fact, these filters have the advantage of easy replacement of the filter elements thanks to lids with simple and quick openings.

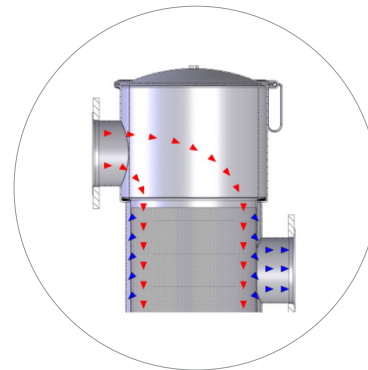
The filters are made up of a containment body and a closing lid held together through a practical system of wing nuts which allows rapid disassembly of the filter and sanitization of all its parts. The filter basket is housed inside the body. The PFP TF basket filters are used as protection filters for equipment, in particular, in the suction of pumps.

The standard execution includes the supply with the filter body in AISI 304 steel and the basket in AISI 316 steel with EPDM gaskets.

The internal basket for the model:

- PFP TF 168 requires drilling of Ø 3 mm.
- PFP TF 250/350 requires drilling of Ø 6 mm.

The range of filters is available with connections from 1"/2 up to DN200, being able to process flow rates from 20 m³/h up to 220 m³/h



MAX. PRESSURE
3 e/o 8 bar

BASKET DRILLING
Ø 3 e/o 6 mm
(other holes Ø on request)

MAX FLOW RATE
20-220 m³/h

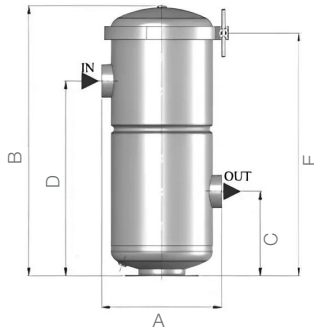
TECHNICAL DATA

Code		FP11012010000	FP11012010001	FP11012010022
Model		PFP TF 168	PFP TF 250	PFP TF 250
In/Out connections		1" ½	2"	DN65
Drain connections		¼"	½"	
Vacuum flow rate	m³/h	20	60	100
Pressure drop	bar	0,2 (referring to the empty container)		
Internal basket measurement	mm	ø 141 × 202	ø 220 × 330	
Internal basket holes Ø	mm	3	6	
Min./max. water temperature	°C	5 - 80		
Min. working pressure	bar	0,5		
Max. working pressure	bar	8,0		
Seals		EPDM		
Body and lid material		AISI304		
Basket material		AISI316		

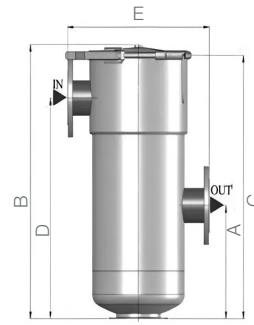
Code		FP11012020132	FP11012020142	FP11012020152	FP11012030562	FP11012030572
Model		PFP TF 292	PFP TF 292	PFP TF 292	PFP TF 350	PFP TF 350
In/Out connections		DN80	DN100	DN125	DN150	DN200
Drain connections		½"				
Vacuum flow rate	m³/h	130	160	180	200	220
Pressure drop	bar	0,2 (referring to the empty container)				
Internal basket measurement	mm	ø 250 × 330			ø 320 × 400	
Internal basket holes Ø	mm	6				
Min./max. water temperature	°C	5 - 80				
Min. working pressure	bar	0,5				
Max. working pressure	bar	3,0				
Seals		EPDM				
Body and lid material		AISI304				
Basket material		AISI316				



OVERALL DIMENSIONS



Series 168 - 250



Series 292 - 350

Code	A	B	C	D	E	Weght
	mm	mm	mm	mm	mm	Kg
FP11012010000	200	452	141	326	406	6,5
FP11012010001	293	712	315	495	583	14,5
FP11012010022	375	712	315	495	583	17,5
FP11012020132	450	701	290	565	674	23,5
FP11012020142	450	701	290	565	674	24,0
FP11012020152	450	701	290	565	674	25,5
FP11012030562	520	825	300	600	777	37,5
FP11012030572	520	825	300	600	777	49,0



EQUIPMENT AND SUPPLY SPECIFICATIONS

FPF TF is supplied complete with removable basket; instruction - maintenance manual in Italian (including declaration of conformity).

Shipping managed on pallets.



PRECAUTIONS AND WARNINGS

It is necessary to protect the filter from the direct action of sunlight and away from frost. Do not exceed the maximum working pressure indicated.

If the supply pressure is higher, install a pressure reducer upstream of the filter. Periodically check the operation of the filter.



REFERENCE STANDARDS

Ministerial Decree No. 174/2004: Regulation concerning materials and objects that can be used in fixed systems for the collection, treatment, supply and distribution of water intended for human consumption.

Art. 4 Par. 3 Of Directive 2014/68/EU (PED).



MAINTENANCE

The filters must be monitored, in particular regarding the pressure drop value through the basket. Once the maximum allowable pressure drop has been reached, it is necessary to clean the basket. The filters are not provided with anti-flooding devices capable of detecting and intervening in the event of breakages or blockages of the device and, therefore, avoiding possible flooding or uncontrolled water consumption.

The frequency of maintenance depends on the conditions of the environment in which the filter is installed and the severity of the work to which it is subjected.

Respect all the instructions given in the User and Maintenance Manual.



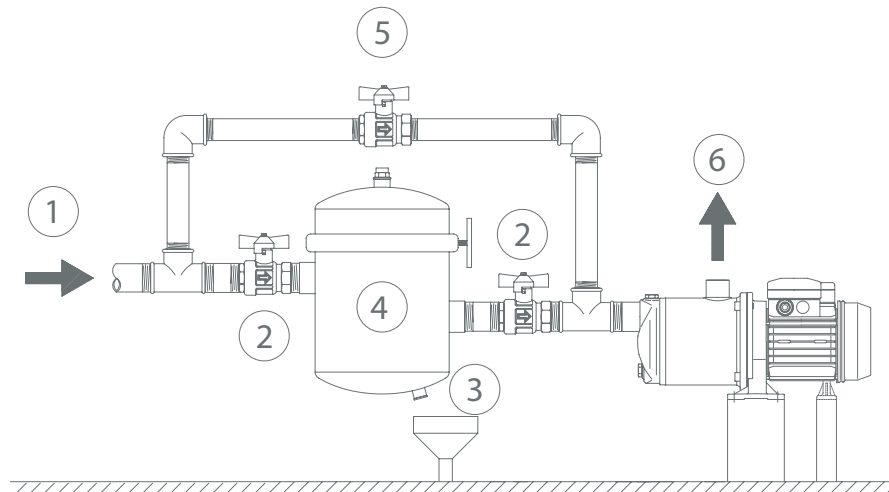
INSTALLATION

The installation of the filter must be carried out exclusively by qualified personnel in full compliance with current regulations. The filter must be installed upstream of the circuit to be protected. Install an adequate valve system that allows you to exclude the filter in the event of a malfunction without preventing the water supply (by-pass).

Provide an adequate visible drain under the filter.

It is advisable to install sampling taps upstream and downstream of the filter. Respect all the instructions given in the User and Maintenance Manual.

INDICATIVE INSTALLATION DIAGRAM



1. Raw water inlet; 2. Shut-off valve; 3. Drain; 4. PFP filter; 5. By-pass valve; 6. Filtered water outlet.



SPARE PARTS

Spare parts for the equipment are available on request in the dedicated price list.

AVERAGE DELIVERY TIMES

2-3 weeks

GENERAL EXCLUSIONS

- Special dedicated packaging, where required - wooden crates
- Equipment start-up and final testing: management not necessary by an Authorized Assistance Center See the manual for correct installation of the product
- Lifting and handling means
- Hydraulic and electrical connections to our plant and to our utilities
- Masonry, carpentry and foundation works
- Chemical analyses
- Structural calculations
- Anything not expressly mentioned in the offer